



Seaway Cruisers Classic Car Club

March 2017

News letter

Valve Cover Races

Thursday

March 23rd, 6 pm

Automotive Classroom

SUNY Canton

Rules

- No propulsion weights
- No moving weights
- Valve cover must have four wheels contacting the ground
- Wheels can be attached in any manner but cannot extend past front of cover
- Covers must be actual valve cover from an automobile engine
- Appearance alterations encouraged

SPECIFICATIONS:

30 inch max length

15 inch max width

11 inch max height

10 pounds max weight

3/4 inch ground clearance

From the President

John Miller III

Winter Rat Party and Valve Cover Races

The meeting will be on March 23rd at 6 p.m. at SUNY Canton at the Auto Tech Lab. Note, this is a Thursday evening.

This is our 4th Annual Valve Cover Races and Winter Rat Pizza Party. That's right, free pizza & drinks and Linda is making something for dessert.

I have made 3 racers with 3 types of wheels and 3 different types of valve covers. It's not that hard, just buy an old skate board or roller skates, or any other type of wheels, make a base or frame, add a valve cover, get it to roll straight, and you're ready to join the fun for bragging rights and a few trophies. Students from SUNY Canton will be racing for a \$50.00 cash prize.

The race is for longest distance, so you need to go straight for about 50 feet. Last year students won 1st and 2nd place, come on Cruisers, build a valve cover racer and see if we can beat the students. Of course if you don't have a racer, come for the fun and pizza.

On a sad note, club member Tyke Miller, my mother, passed away on 2-27-17. She was a fan of classic cars and a supporter of the club and our car show. Rest in Peace Mom.

Let's race valve covers,
John Miller III



Albertha Jewel Benz Miller, "Tyke", 85, DeKalb Junction

Wednesday, March 1, 2017 - 9:00 pm

DEKALB JUNCTION -- Albertha Jewel Benz Miller, always lovingly known as "Tyke", passed away at Canton-Potsdam Hospital on February 27, 2017 with her loving family by her side at age 85.

Submission Deadline

March 31, 2017 for April

Seaway Cruisers Classic Car Club, Inc.

~ Established 1986 ~

**PO Box 109
Heuvelton, NY 13654**
seawaycruisers@yahoo.com
www.seawaycruisers.com

OFFICERS

President:

John Miller III
(315) 347-3414

Vice President:

Linda Brown
(315) 375-6788

Secretary:

Brandon Baldwin
(315) 265-2717

Treasurer:

Glory Martel
404 Mansion Avenue
Ogdensburg, NY 13669
(315) 393-4436

DIRECTORS

John Amell (315) 344-7025
Dean Marshall (315) 344-6422
Pat Matthews (315) 393-3810
Mike Hirsch (315) 344-6339
Scott Sutherland (315) 386-3455
Ron Day (315) 344-8823
Frank Howie (315) 394-0259

Email List

Linda Hurteau
(315) 393-2519
thequeensdawgs@yahoo.com

Newsletter, Website & Membership

Sandy Bigelow
(315) 347-3945
news.seawaycruisers@gmail.com

From the Secretary

Brandon Baldwin

Meeting Minutes from 2/19/2017

Our Car show notes:

1. We will be building new sign posts for the end of the class rows.
2. We will be moving the field towards the trees more, for shade.
3. We need a better tarp for the registration booth.
4. We are working on a better floor for our car show trailer.

Cruise-Ins:

1. Bokies in Malone, Tuesdays May 3rd to October
2. Twin Leaf in Hogansburg, Wednesdays May to October
3. Boyden Brook Block Party Car Show, Friday June 2nd at 6:00
4. Car-B-Que at the Dobisky Visitors Center in Ogdensburg, June 10th at 10am. For more information on the Car-B-Que, contact Laura Pearson [315-393-3620](tel:315-393-3620).

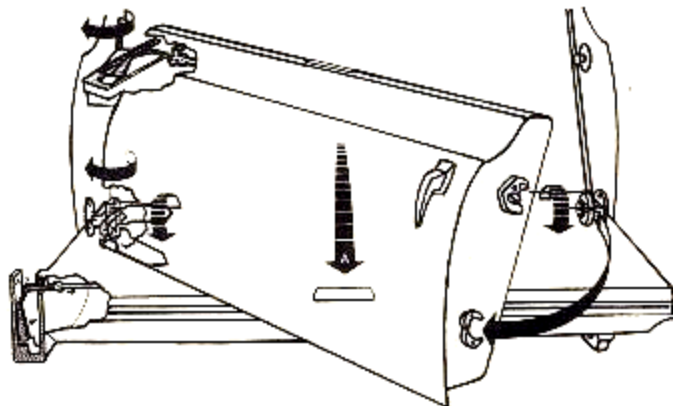
Donations tonight for Moose Lodge, Ogdensburg Neighborhood Center, and Ogdensburg SPCA. Dues paid to Power & Equipment Museum.

Next Meetings and Events

1. March 23rd Meeting and Valve Cover Races are Thursday 6:00 pm at SUNY Canton, just outside the Auto lab, competing against the SUNY Canton students. When coming onto campus, turn right at the "Y" and then take the second driveway on the left. Come in the main entrance to Nevaldine, center of the parking lot there.
2. April 20th Meeting and Hot Wheels Mini Car Show, Thursday 6:00 pm at SUNY Canton just outside the Auto lab, with the SUNY Canton students.
3. May Meeting, tentatively, part of a Cruise to see the Barn Quilts in Hammond, then eat a Seaway Cruiser sponsored lunch at Turners. Meeting after lunch.
4. June 11th at 2:00 Meeting and Car Show at the Madrid Power and Equipment Farm show.

Duo-Door

Answers on page 4



1. What two automobile brand names offered this ingenious two-way tailgate?
2. What model year was it first available on station wagons?
3. What was the advertised name for this design?
4. What was the last model year it was available?

2017 Event Calendar

Day	Date	Time	Event Description
Thursday	Summer	5 p.m.	Highway Legends Cruise-In, 759 Starbuck Ave, Watertown
Tuesdays	May – Oct.	6-8 p.m.	Cruise-in at Bokie’s Drive In, Route 11 East in Malone
Thursday	March 23	6 p.m.	Valve Cover Races and Seaway Cruisers meeting at SUNY Canton Nevaldine Hall; Pizza & soda provided
Thursday	April 20	6 p.m.	Mini Car Show and Seaway Cruisers meeting at SUNY Canton, Nevaldine Hall
	April 29-30	9-9 & 9-5	5 th Annual Ottawa Motorama Classic and Custom Car Show; for more information visit www.ottawamotorama.ca or phone Rick 1-450-458-1001
	May 5-7		Rhinebeck Show info at www.rhinebeckcarshow.com
Fri-Sun	May 19-21	4-9; 9-7; 10-4	7 th Annual Two Nations 1000 Islands Extravaganza in Clayton hosted by Highway Legends
Saturday	May 20	11 a.m.	Frenchie’s Car Show, Massena
Monday	May 22	Reg 8-10; show ends at 4:30	Car Club Show (show cars as a club with banners) as part of Canada 150 Event & Mayor Picnic. Free family day event expecting about 15,000 people. \$5 registration fee for show car. For info call Len at 613-551-3750
	May 27-28		Champlain Valley Cruisers Spring Nationals, Plattsburgh. Call 518-572701 for information.
	July 30		Seaway Cruisers Car Show

View more at <http://seawaycruisers.com/events> (“Destinations” tab)

2017 Membership Form

Seaway Cruisers Classic Car Club, Inc.

Seaway Cruisers Classic Car Club members share an interest in classic or antique automobiles. Annual membership is still only \$12.00 and includes a monthly newsletter, an email list, social and technical meetings, and more!

Name _____

Address _____

City, State, Zip _____

Phone # _____ Mobile # _____

Email _____

I prefer to receive my newsletter via Email Postal Mail

Vehicle(s) you own (Year, Make, Model) _____

Mail this form with a check for \$12.00 made payable to Seaway Cruiser Car Club to Glory Martel, Seaway Cruisers Treasurer, 404 Mansion Ave., Ogdensburg, NY 13669

My age group is:

- 18 - 25 46 - 55
 26 - 35 56 - 70
 36 - 45 71 +

Ideas for meeting topics or other activities:

WANTED: Volkswagen Van pre 1968 Westy or Panel preferred. Phone 315-393-2169.

**If 2016 is still on your label,
THIS IS YOUR LAST ISSUE!**

Answer to puzzle on page 3

DEALER'S CHOICE
(IMPORTS)
1. E
2. I
3. B
4. D
5. J
6. G
7. F
8. C
9. H
10. A

Membership Paid Thru

2016

Chris Cruiser
123 Automobile Lane
Hometown, NY 12345

2017 MEMBERSHIP FORM IS ENCLOSED

Seaway Cruisers Classic Car Club , Inc. promotes interest in antique, classic and customized vehicles and aids in the restoration, preservation, and enjoyment of these vehicles. The Club is organized exclusively for social and recreational purposes including the increase of communication and fellowship among persons interested in these objectives through social activities. Annual membership is open to anyone who supports the organization's mission and submits an application.

Seaway Cruisers Classic Car Club
PO Box 109
Heuvelton, NY 13654

